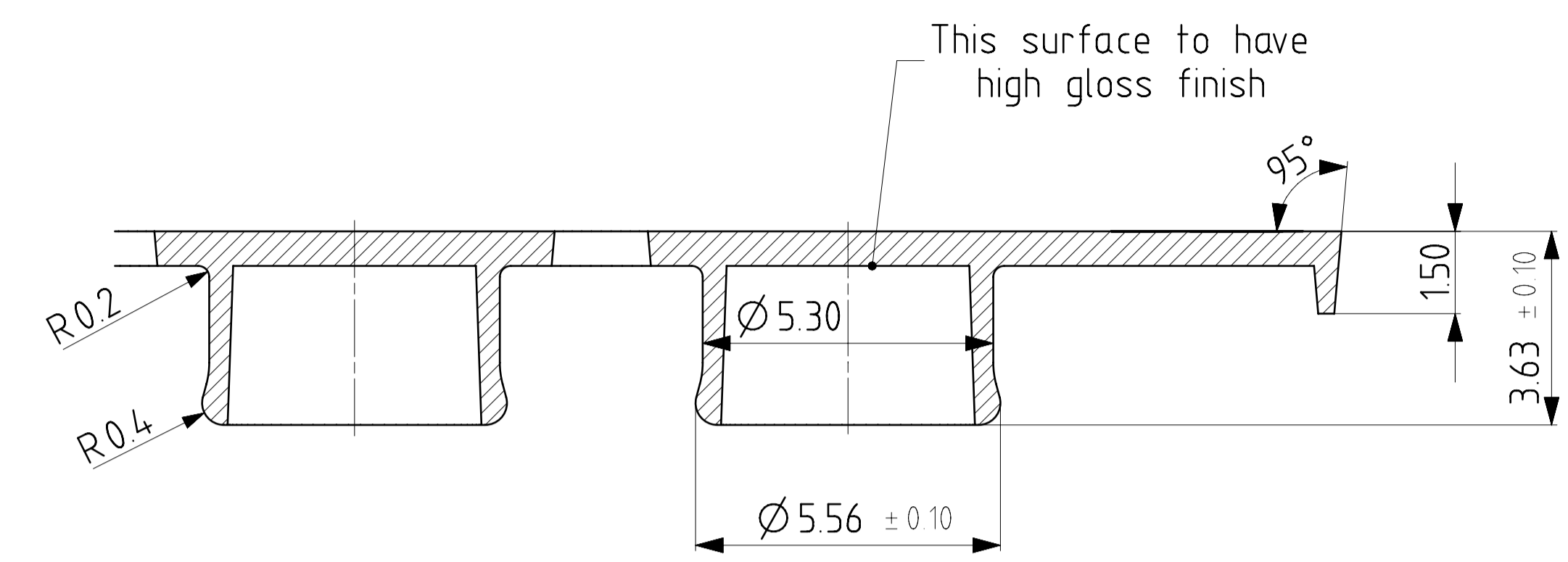
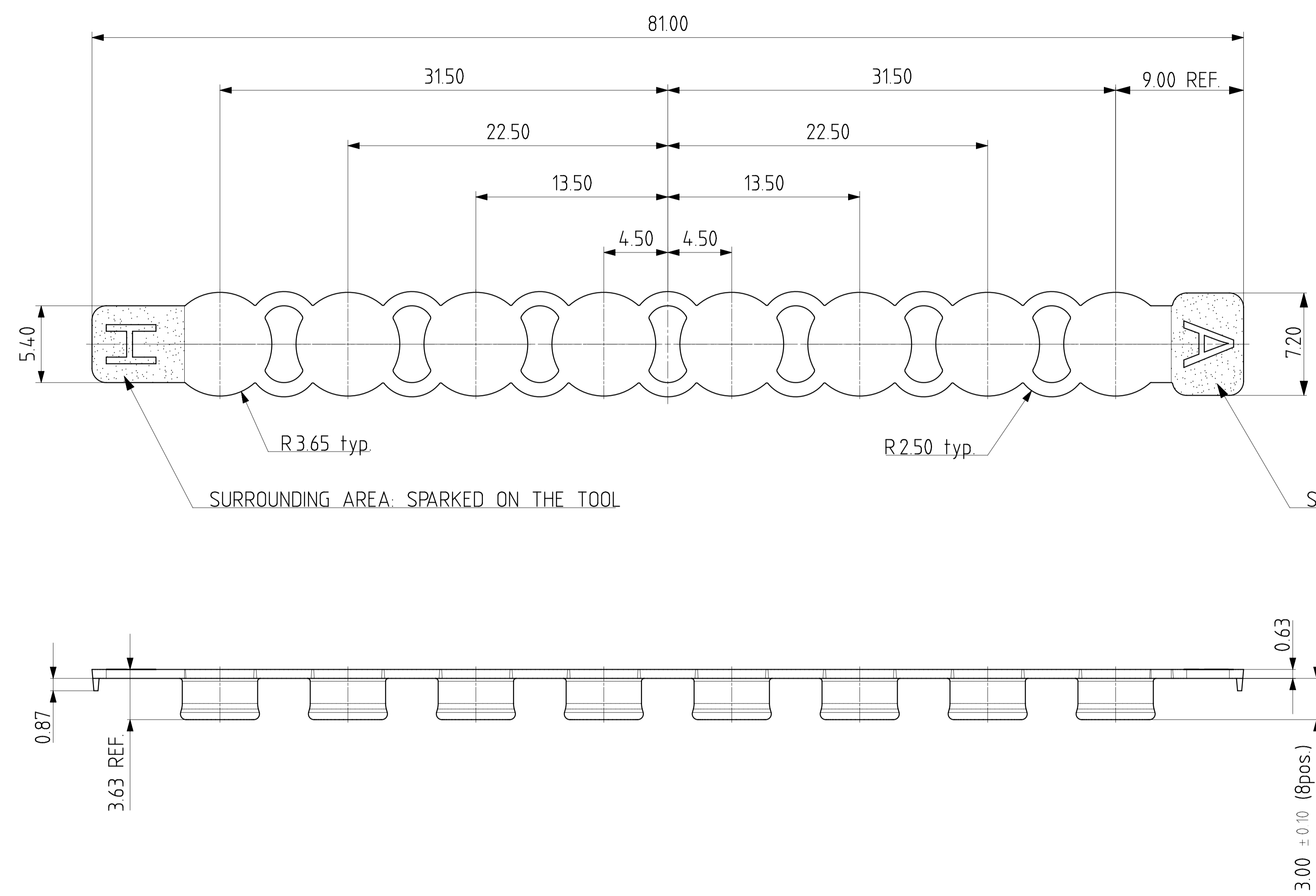
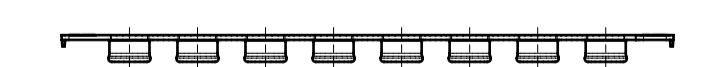
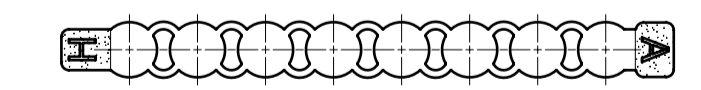


CAP DETAIL 10:1



NOTE:
ALL FACES TO HAVE A SMOOTH GLOSS FINISH (HIGHLY POLISHED ON TOOL)



ACTUAL SIZE

ISSUE	DATE	AMENDMENT

4titude
www.4ti.co.uk

DO NOT SCALE
IF IN DOUBT ASK

CUSTOMER	CUSTOMER DRG No.	ISSUE
MATERIAL	POLYPROPYLENE	
TOLERANCES	0 ±0.25 0.0 ±0.20 0.00 ±0.10 ANGULAR ±0°30' (ALL DIMENSIONS IN MILLIMETRES)	
GENERAL TOLERANCES (UNLESS OTHERWISE STATED)		

DRAWN	ZOLTAN E.
DATE	29.08.2014
CHECKED	JAMES B.
DATE	
SCALE	5:1

TITLE	Strip of 8 flat optical caps (Marketing drawing)	
DRAWING No.	4ti-0751	
SHEET No.	1 OF 1	ISSUE A